

AMERICAN MOTORS PARTS CATALOG

FACTORY ENGINEERED PARTS
Made Better To Wear Better and Last Longer

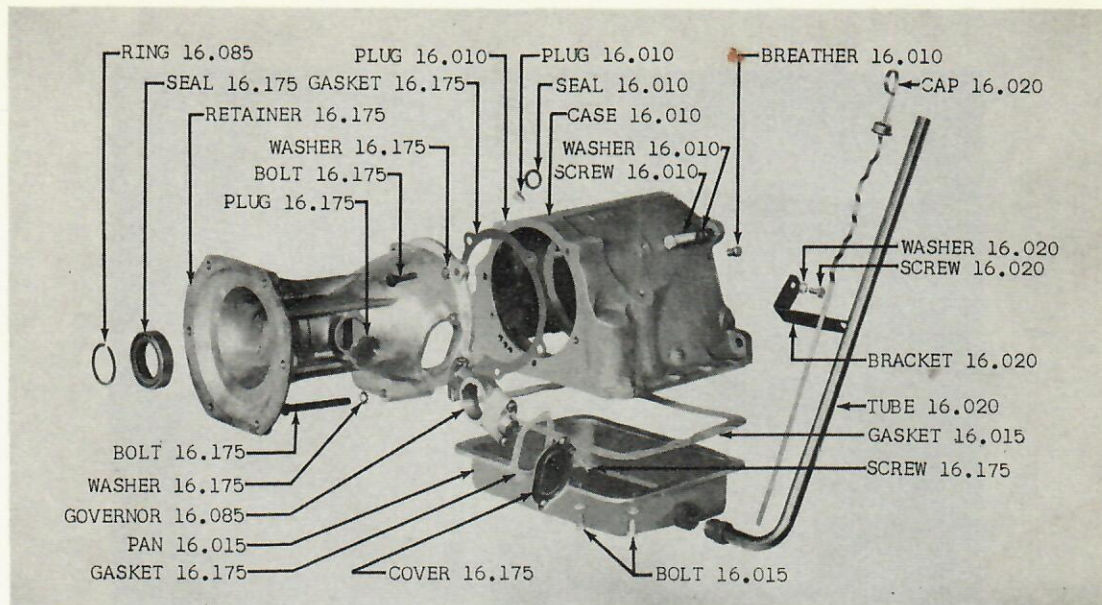
GROUP 16 AUTOMATIC TRANSMISSION

DESCRIPTION	GROUP AND FIGURE NO.	GROUP NO.
BAND, Transmission Front Brake	16-11	16.130
BAND, Transmission Rear Brake	16-11	16.155
BODY, Transmission Front Servo	16-3, 16-4	16.060
BODY, Transmission Rear Servo	16-5	16.070
BRACKET, Transmission Oil Filler Tube	16-1	16.020
BRAKE, Transmission Parking	16.090
BREATHER, Transmission Case	16-1	16.010
CAP, Transmission Oil Filler Tube	16-1	16.020
CARRIER, Transmission Planetary	16-12, 16-8	16.150
CASE, Transmission	16-1	16.010
CLUTCH, One Way (Sprag)	16-12	16.150
COLLECTOR, Transmission Oil	16.170
CONVERTER, Transmission	16.030
GOVER, Transmission Governor Inspection	16-1	16.175
COVER, Transmission Pressure Regulator Valve	16-2	16.025
CYLINDER, Transmission Front Clutch	16-8, 16-9	16.115
DRUM, Transmission Rear Clutch	16-8, 16-10	16.125
GASKET, Transmission Oil Pan	16-1	16.015
GASKET, Transmission Rear Bearing Retainer	16-1, 16-7	16.175
GASKET, Transmission Rear Oil Pump	16-7	16.100
GASKET AND SEAL SET, Transmission Overhaul	16.005
GEAR, Speedometer Drive	Refer Page 117	16.248
GEAR, Transmission Output Shaft Ring	16-8	16.160
GEAR, Transmission Sun	16-8	16.140
GOVERNOR, Transmission	16-1	16.085
HOUSING, Transmission Converter	16.040
HUB, Transmission Front Clutch	16-9	16.115
LEVER, Transmission Manual Control	16.225
LEVER, Transmission Rear Servo Lever	16-5	16.070
LEVER ASSEMBLY, Transmission Parking Lock	16.227
PAN, Transmission Oil	16-1	16.015
PISTON, Transmission Front Clutch Cylinder	16-9	16.115
PISTON, Transmission Rear Clutch Cylinder	16-10	16.125
PISTON, Transmission Front Servo	16-3, 16-4	16.060
PISTON, Transmission Rear Servo	16-5	16.070
PLATE, Transmission Front Clutch	16-9	16.115
PLATE, Transmission Rear Clutch	16-10	16.125
PLATE, Transmission Converter Drive	16.035
PLATE, Transmission Lower Control Valve	16-15, 16-16	16.215
PLATE, Transmission Upper Control Valve	16-13, 16-14	16.205
PUMP, Transmission Front Oil	16-6	16.080
PUMP, Transmission Rear Oil	16-7	16.100
RACE, Transmission Planetary Carrier	16-12	16.150
RETAINER, Transmission Rear Bearing	16-1	16.175
RETAINER, Transmission Rear Servo Spring	16-5	16.070
RING, Transmission Front Clutch	16-9	16.115
RING, Transmission Rear Clutch	16-10	16.125
SCREEN, Transmission Oil	16.045
SEAL, Transmission Rear Bearing Oil	16-1	16.175
SERVO, Transmission Front	16-3, 16-4	16.060
SERVO, Transmission Rear	16-5	16.070
SHAFT, Transmission Input	16-8, 16-9	16.105
SHAFT, Transmission Output	16-8	16.160
SLEEVE, Transmission Front Servo	16-3, 16-4	16.060
SOLENOID, Transmission	16.235

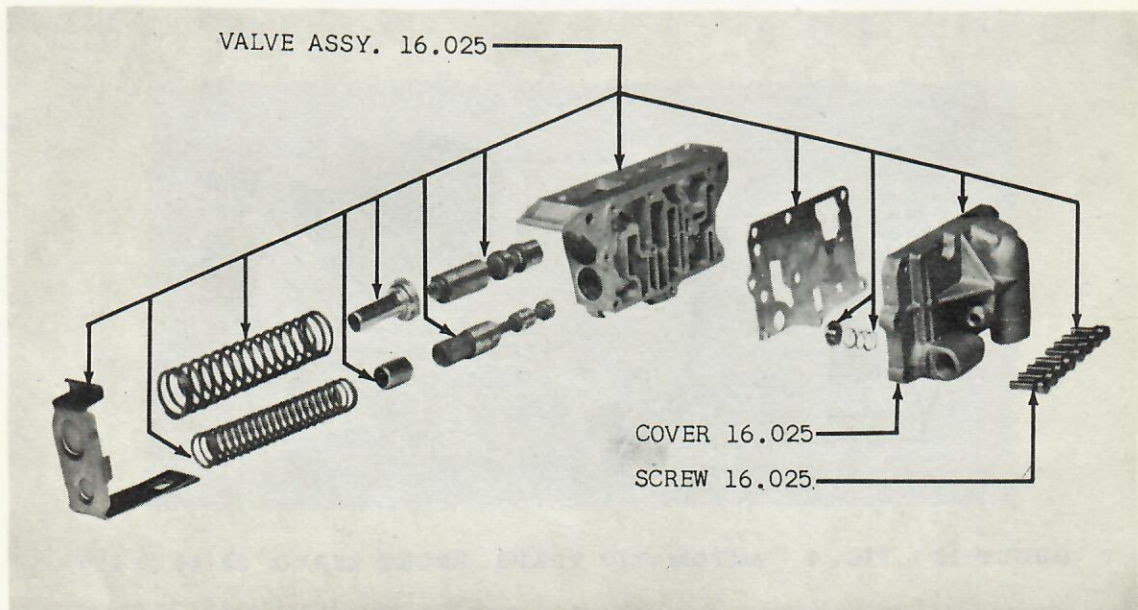
AMERICAN MOTORS PARTS CATALOG

DESCRIPTION	GROUP AND FIGURE NO.	GROUP NO.
SPACER, Transmission Flywheel Housing to Engine	16.042
STRUT, Transmission Brake Band	16-11	16.155
SUPPORT, Transmission Center	16-12	16.135
SWITCH, Transmission Solenoid Kickdown	16.245
TRANSMISSION, Automatic	16.001
TUBE, Transmission Oil Cooler	16.230
TUBE, Transmission Oil Filler	16-1	16.020
TUBE, Transmission Rear Oil Pump Discharge	16.055
TUBE, Transmission Rear Oil Pump Inlet	16.050
TUBE, Transmission Vacuum	4-3	16.240
VALVE, Transmission Upper Control	16-13, 16-14	16.205
VALVE, Transmission Lower Control	16-15, 16-16	16.215
VALVE, Transmission Pressure Regulator	16-2	16.025
VALVE ASSEMBLY, Transmission Control	16.195

AMERICAN MOTORS PARTS CATALOG

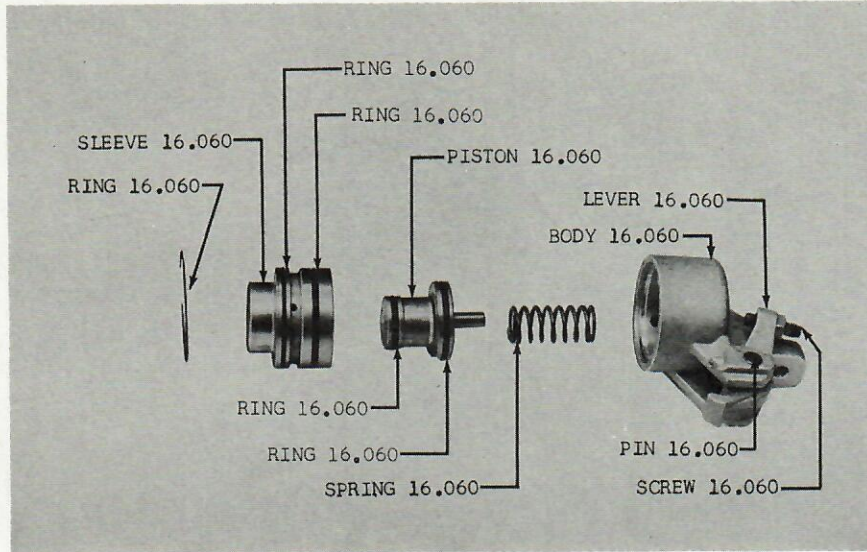


GROUP 16 - FIG. 1 - AUTOMATIC TRANSMISSION CASE ASSEMBLY 01-10-20-80 (WAT)

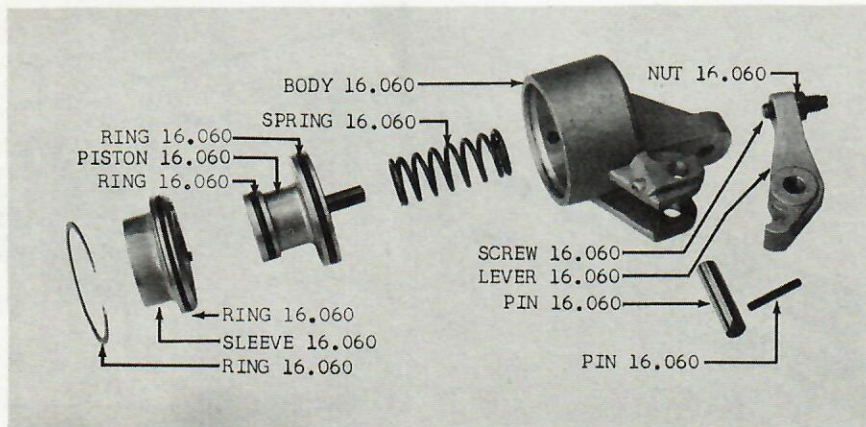


GROUP 16 - FIG. 2 - AUTOMATIC TRANS. PRESSURE REGULATOR VALVE 01-10-20-80 (WAT)

AMERICAN MOTORS PARTS CATALOG

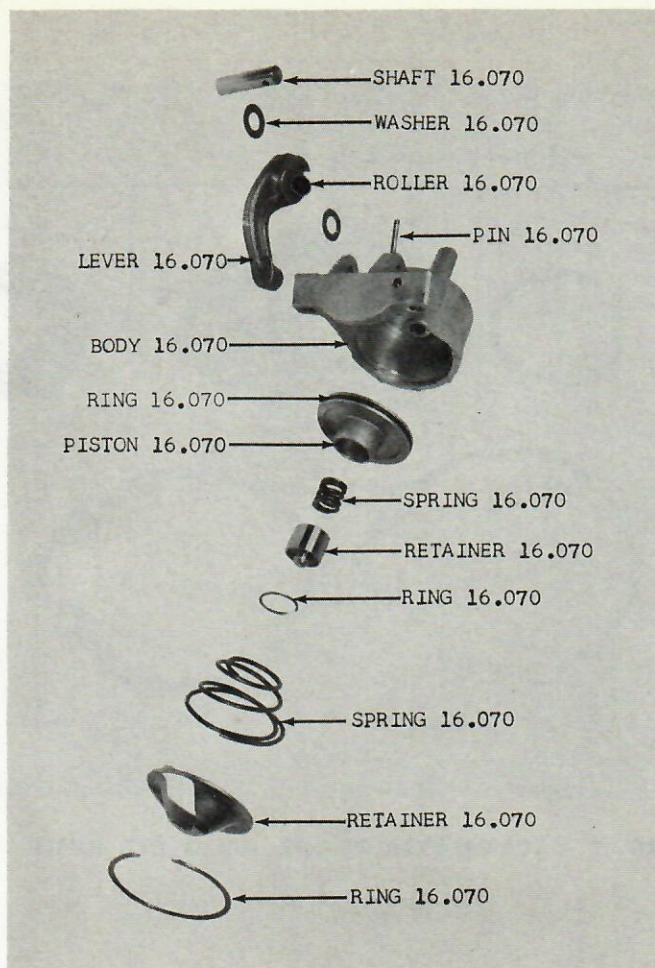


GROUP 16 - FIG. 3 - AUTOMATIC TRANS. FRONT SERVO 01-10 (WAT)

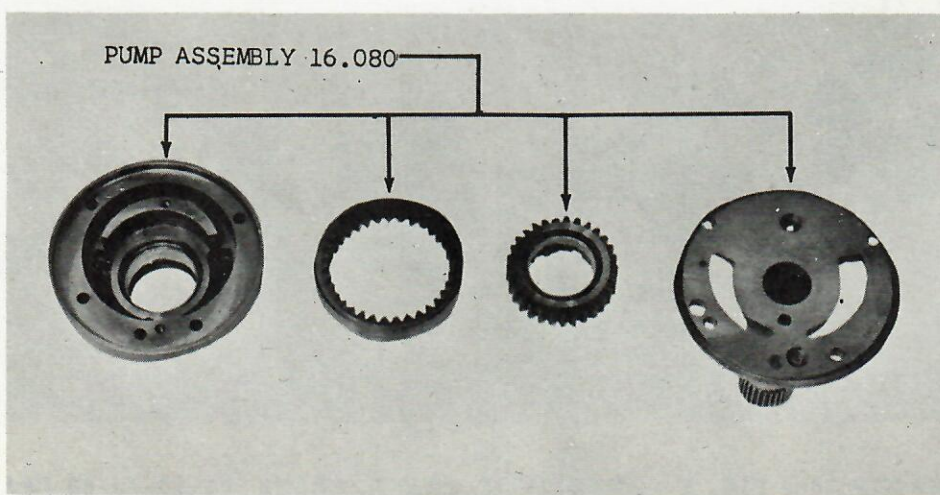


GROUP 16 - FIG. 4 - AUTOMATIC TRANS. FRONT SERVO 20-80 (WAT)

AMERICAN MOTORS PARTS CATALOG

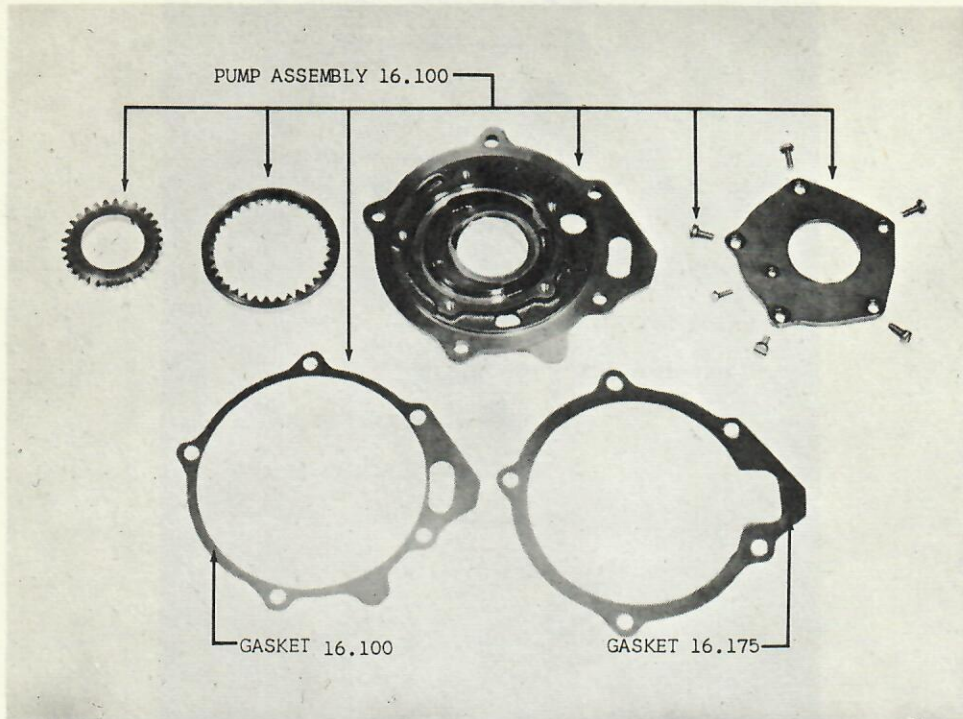


GROUP 16 - FIG. 5 - AUTOMATIC TRANS. REAR SERVO 01-10-20-80 (WAT)

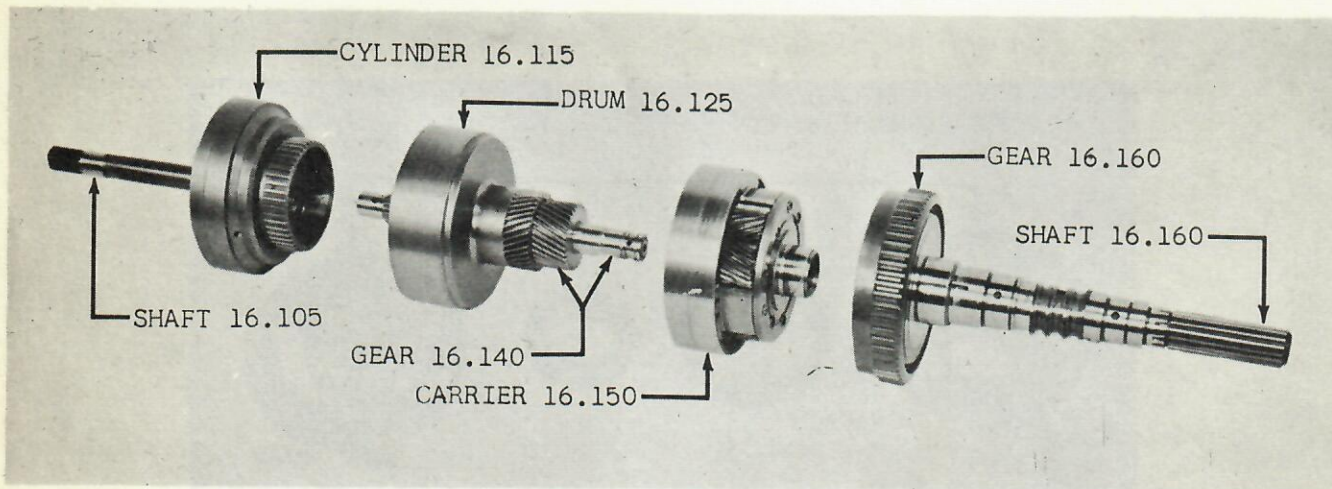


GROUP 16 - FIG. 6 - AUTOMATIC TRANS. FRONT OIL PUMP 01-10-20-80 (WAT)

AMERICAN MOTORS PARTS CATALOG

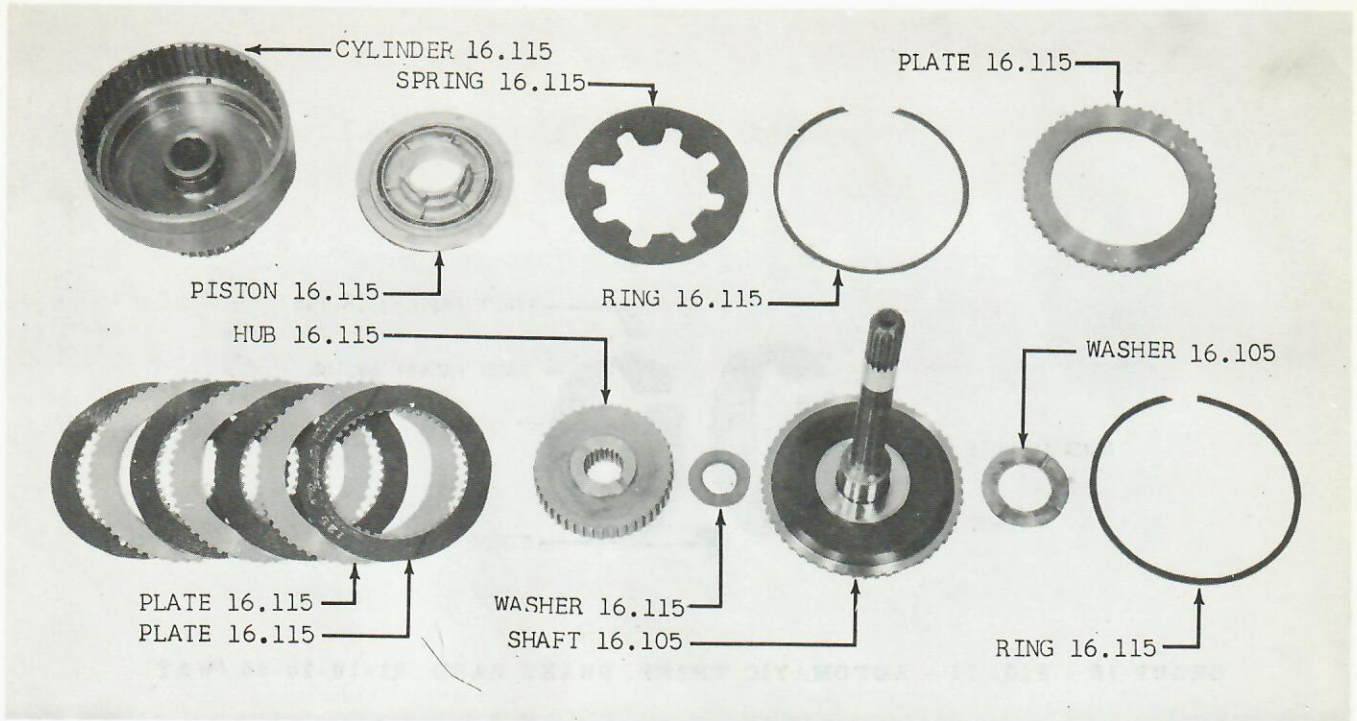


GROUP 16 - FIG. 7 - AUTOMATIC TRANS. REAR OIL PUMP 01-10-20-80 (WAT)

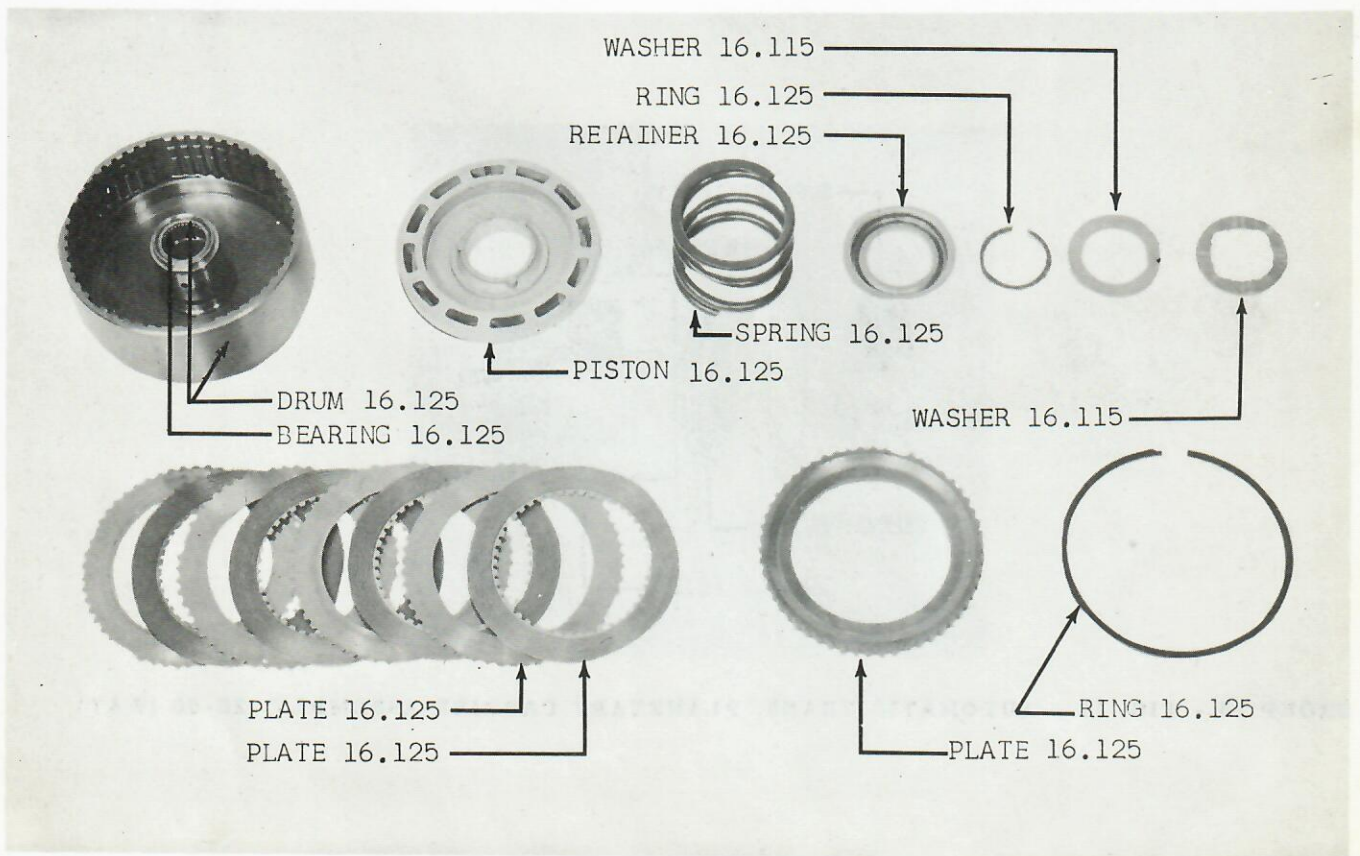


GROUP 16 - FIG. 8 - AUTOMATIC TRANS. GEARS 01-10-20-80 (WAT)

AMERICAN MOTORS PARTS CATALOG

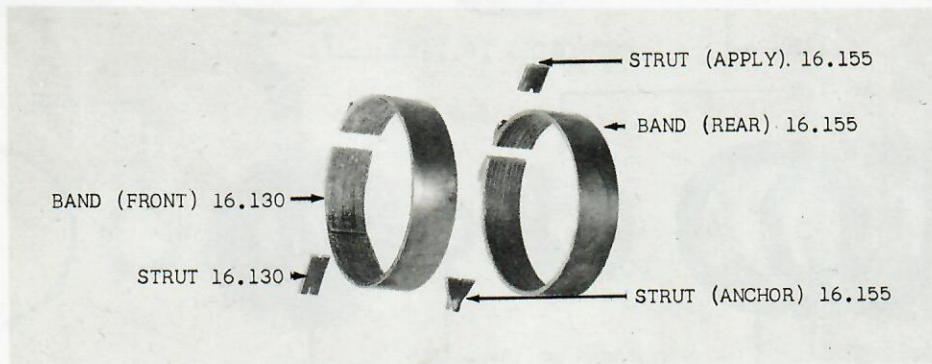


GROUP 16 - FIG. 9 - AUTOMATIC TRANS. FRONT CLUTCH 01-10-20-80 (WAT)

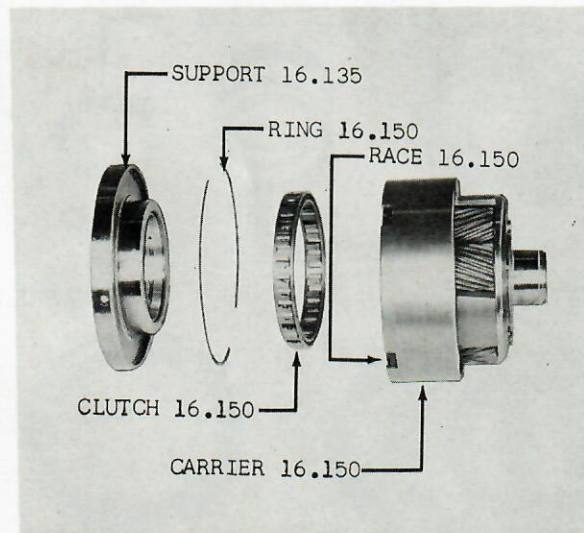


GROUP 16 - FIG. 10 - AUTOMATIC TRANS. REAR CLUTCH 01-10-20-80 (WAT)

AMERICAN MOTORS PARTS CATALOG

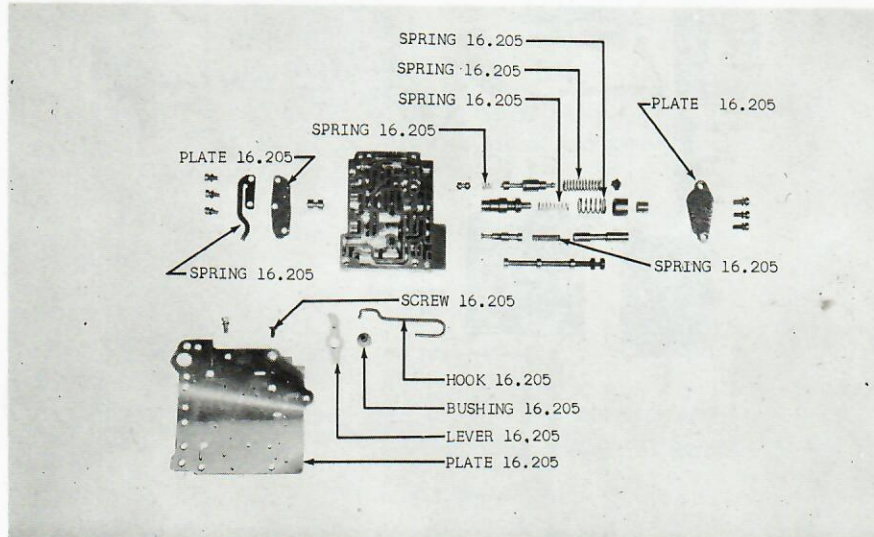


GROUP 16 - FIG. 11 - AUTOMATIC TRANS. BRAKE BAND 01-10-20-80 (WAT)

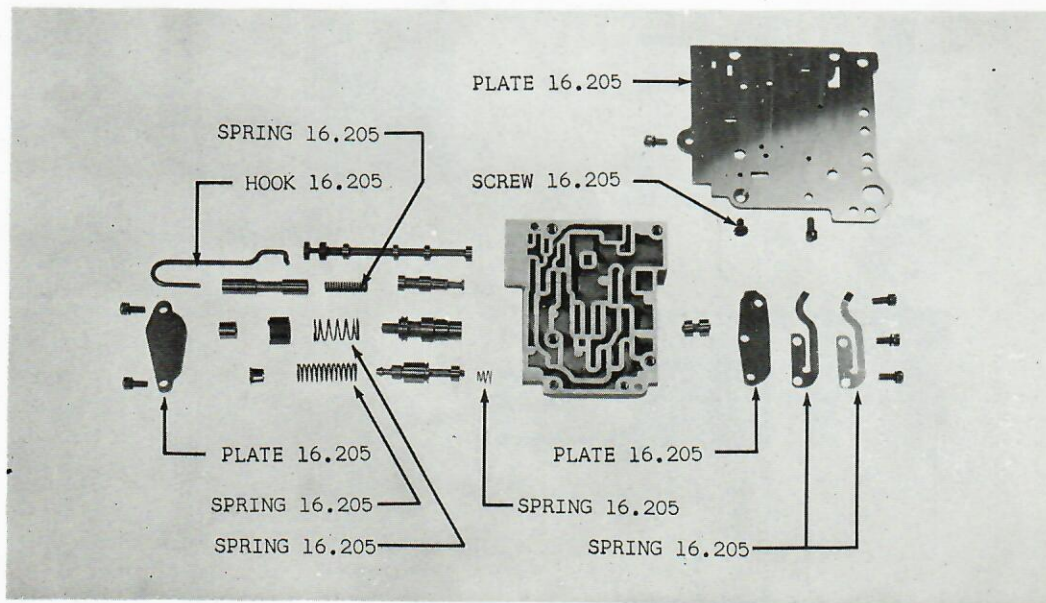


GROUP 16 - FIG. 12 - AUTOMATIC TRANS. PLANETARY CARRIER ASSEMBLY 20-80 (WAT)

AMERICAN MOTORS PARTS CATALOG

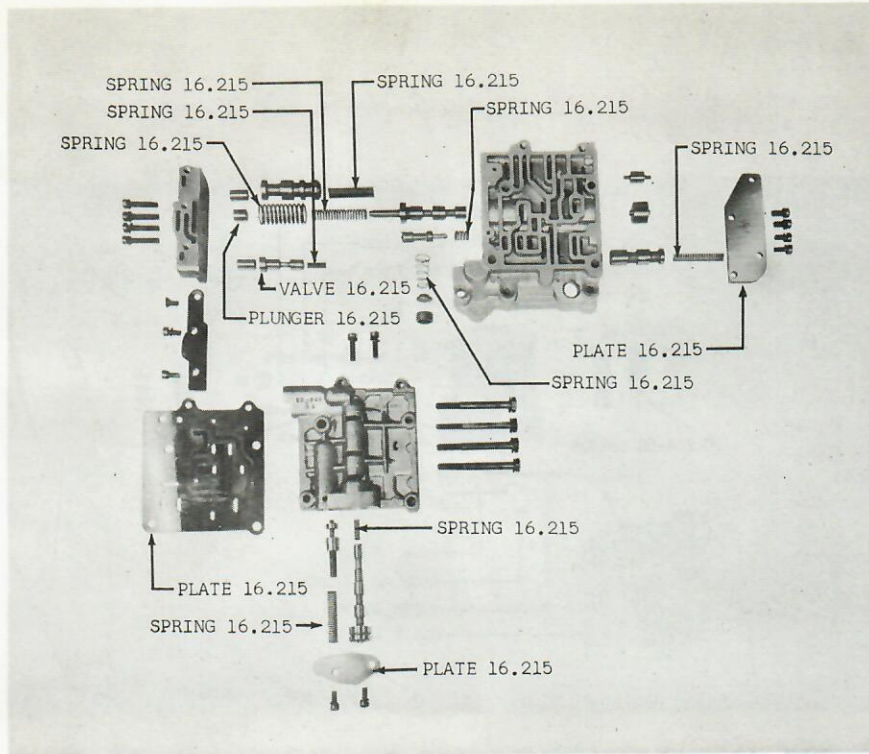


GROUP 16 - FIG. 13 - AUTOMATIC TRANS. UPPER VALVE BODY 01-10 (WAT)

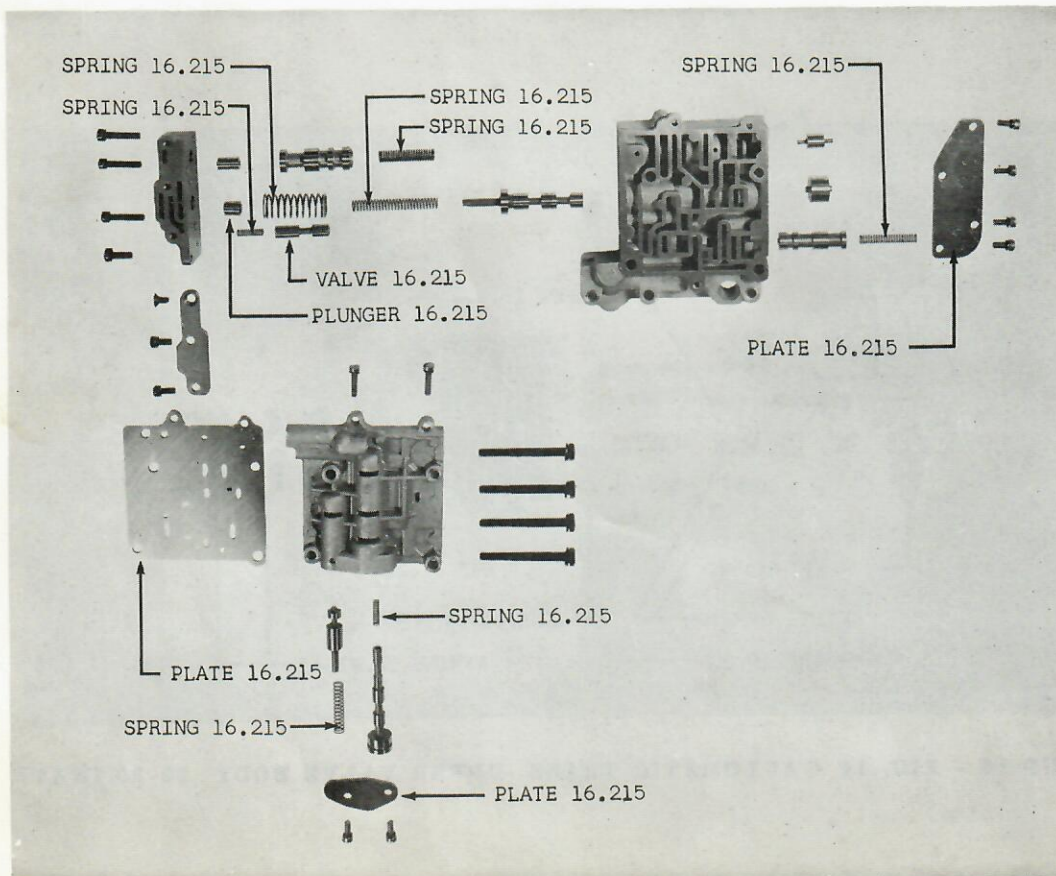


GROUP 16 - FIG. 14 - AUTOMATIC TRANS. UPPER VALVE BODY 20-80 (WAT)

AMERICAN MOTORS PARTS CATALOG



GROUP 16 - FIG. 15 - AUTOMATIC TRANS. LOWER VALVE BODY 01-10 (WAT)



GROUP 16 - FIG. 16 - AUTOMATIC TRANS. LOWER VALVE BODY 20-80 (WAT)

AMERICAN MOTORS PARTS CATALOG

16,025

DESCRIPTION	YEAR AND MODEL	PER CAR	PART NO.
-------------	----------------	---------	----------

GROUP 16 AUTOMATIC TRANSMISSION

16.001 TRANSMISSION, Automatic

TRANSMISSION.....	59 01.....	1	315 6000
	59 10 (Note 16.001-2).....	1	320 1689
	59 20.....	1	315 6002
	59 80.....	1	315 6003
	59 10 (Note 16.001-3).....	1	315 8247

16.005 GASKET AND SEAL SET, Transmission Overhaul

GASKET AND SEAL SET.....	59 01-10-20-80.....	1	320 0703
--------------------------	---------------------	---	----------

16.010 CASE, Transmission

CASE.....	59 01.....	1	320 0892
	59 10.....	1	320 0893
	59 20-80.....	1	320 0894
SEAL, Oil.....	59 01.....	1	315 0858
	59 10-20-80.....	1	315 4112
PLUG.....	59 01-10-20-80.....	2	315 0857
Pipe (1/8").....	59 01-10 (1 Req.): 59 20-80 (3 Req.).....	AR	315 0854
BREATHER.....	59 01-10-20-80.....	1	315 0850
SCREW, Case To Converter Housing.....	59 01-10-20-80.....	4	G180149
WASHER (Lock), Case To Converter Housing Screw.....	59 01-10-20-80.....	4	311 8257

16.015 PAN, Transmission Oil

PAN.....	59 01-10-20-80.....	1	315 0868
GASKET.....	59 01-10-20-80.....	1	315 1074
BOLT.....	59 01-10-20-80.....	14	G180075
WASHER (Lock).....	59 01-10-20-80.....	14	G120214

16.020 TUBE, Transmission Oil Filler

TUBE.....	59 01.....	1	315 4736
	59 10-20-80.....	1	315 2962
CAP (Also Gauge).....	59 01-10-20-80.....	1	315 1602
BRACKET.....	59 01.....	1	315 4703
	59 10.....	1	314 6433
	59 20-80.....	1	315 2964
SCREW, Bracket.....	59 20-80.....	1	G179834
WASHER (Lock), Bracket.....	59 20-80.....	1	G120382

16.025 VALVE, Transmission Pressure Regulator

VALVE.....	59 01-10.....	1	315 1131
	59 20.....	1	315 3498
	59 80.....	1	315 5617
COVER.....	59 01-10.....	1	315 1128
	59 20-80.....	1	315 3499
SCREW, Cover To Body.....	59 01-10-20-80.....	8	G454029
Body To Case.....	59 01-10-20-80.....	2	315 1141

NOTE 16.001-1: On 59 10 (WAT) having Transmission Model No. AS12-5AB.

NOTE 16.001-2: On 59 10 (WAT) having Transmission Model No. AS12-8.

NOTE 16.001-3: On 59 10 (WAT) having Transmission Model No. AS14-8.

AMERICAN MOTORS PARTS CATALOG

AUTOMATIC TRANSMISSION

WASHER (Lock), Body To Case Screw.....	59 01-10-20-80.....	2	G120214
TUBE, Lubrication Line.....	59 01-10-20-80.....	1	315 1152
Compensator.....	59 01-10-20-80.....	1	315 1153
Main Line.....	59 01-10-20-80.....	1	315 1154

16.030 CONVERTER, Transmission

CONVERTER (Incl. Ring Gear).....	59 01-10.....	1	315 0314
(Less Ring Gear).....	59 20.....	1	315 2980
	59 80.....	1	315 3650

16.035 PLATE, Transmission Converter Drive

PLATE.....	59 01-10.....	1	315 0315
(Incl. Ring Gear).....	59 20.....	1	315 2987
	59 80.....	1	315 3651
Reinforcement.....	59 01-10-20-80.....	1	315 2968
BOLT, To Converter.....	59 01-10-20.....	6	315 1482
To Crankshaft.....	59 01-10-20-80.....	6	315 1407
WASHER (Plain), To Converter.....	59 01-10-20.....	6	800 0446
NUT, To Converter.....	59 80.....	4	G451010

16.040 HOUSING, Transmission Converter

HOUSING (Incl. Dowels).....	59 01-10.....	1	315 0806
	59 20-80.....	1	315 4341
DOWEL.....	59 01-10.....	2	314 1483
	59 20-80.....	2	314 5091
COVER, Front.....	59 20-80.....	1	320 1667
GASKET, Front Cover.....	59 20-80.....	1	315 7940
SEAL, Front Cover.....	59 20-80.....	1	315 7937
SCREW, To Engine (3/8 - 16 x 1-1/4).....	59 01-10.....	1	G179841
(3/8 - 16 x 2-1/2).....	59 01-10.....	2	G179849
(3/8 - 24 x 3-1/2).....	59 01-10.....	2	G187044
(7/16 - 14 x 2-3/4).....	59 20-80.....	6	G179869
Front Cover.....	59 20-80.....	4	G448423
PLUG.....	59 20-80.....	1	315 7983
WASHER (Plain), To Engine Screw (13/32 x 7/8)..	59 01-10.....	3	800 0165
(13/32 x 11/16).....	59 01-10.....	3	800 0162
(15/32 x 7/8)..	59 20-80.....	6	800 0178
(Lock), To Engine Screw.....	59 01-10.....	5	G120382
	59 20-80.....	6	G103328
NUT.....	59 01-10.....	2	G120369

16.042 SPACER, Transmission Converter Housing To Engine

SPACER.....	59 01-10.....	1	314 5426
	59 20-80.....	1	314 5085
SCREW, To Engine.....	59 01-10.....	2	313 0284
(Incl. L/Washer).....	59 20-80.....	2	800 0068
WASHER (Lock).....	59 01-10.....	2	G138538

16.045 SCREEN, Transmission Oil

SCREEN.....	59 01-10-20-80.....	1	315 4582
CLIP, Retaining.....	59 01-10-20-80.....	1	315 1159
MAGNET.....	59 01-10-20-80.....	1	315 8610

AUTOMATIC TRANSMISSION

16.050 TUBE, Transmission Rear Oil Pump Inlet

TUBE.....	59 01-10-20-80.....	1	315 1156
RING, Oil Seal.....	59 01-10-20-80.....	1	315 1108

16.055 TUBE, Transmission Rear Oil Pump Discharge

TUBE.....	59 01-10-20-80.....	1	315 1161
RING, Oil Seal.....	59 01-10-20-80.....	1	315 1160

16.060 SERVO, Transmission Front

BODY.....	59 01-80: 59 10 (Note 16.001-1).....	1	315 2181
	59 10 (Notes 16.001-2 And 16.001-3): 59 20...	1	315 1043
PISTON.....	59 01: 59 10 (Note 16.001-1).....	1	315 2183
	59 10 (Notes 16.001-2 And 16.001-3).....	1	315 8263
	59 20.....	1	315 3484
	59 80.....	1	315 4106
SPRING.....	59 01: 59 10 (Note 16.001-1).....	1	315 2176
	59 10 (Note 16.001-2 And 16.001-3).....	1	315 8264
	59 20.....	1	315 3487
	59 80.....	1	315 4115
SLEEVE.....	59 01: 59 10 (Note 16.001-1).....	1	315 2180
	59 10 (Notes 16.001-2 And 16.001-3).....	1	315 8261
	59 20.....	1	315 3488
	59 80.....	1	315 4135
TUBE, Apply.....	59 01-10-20-80.....	2	315 1155
LEVER.....	59 01-10-20-80.....	1	315 1051
PIN.....	59 01-10-20-80.....	1	315 1018
	59 01-10-20-80.....	1	315 1045
Lever Pivot.....	59 01-10-20-80.....	1	315 0856
Dowel (Servo To Case).....	59 01-10-20-80.....	1	315 0856
RING, Sleeve Snap.....	59 01-80: 59 10 (Note 16.001-1).....	1	315 2178
	59 10 (Notes 16.001-2 And 16.001-3): 59 20...	1	315 1048
Oil Seal "O" (2" I.D.).....	59 01-80: 59 10 (Note 16.001-1).....	1	315 2179
(2-7/64" I.D.).....	59 10 (Notes 16.001-2 And 16.001-3): 59 20...	1	315 1047
(1-1/2" I.D.).....	59 01-10.....	1	315 1052
Piston Oil Seal (1-25/32" I.D.)...	59 01-80: 59 10 (Note 16.001-1).....	1	315 2177
(1-7/8" I.D.).....	59 10 (Notes 16.001-2 And 16.001-3): 59 20...	1	315 1049
"O" (15/16" I.D.).....	59 01-80: 59 10 (Note 16.001-1).....	1	315 2175
(1-11/64" I.D.)...	59 20.....	1	315 3486
SCREW, Adjusting.....	59 01-10-20-80.....	1	315 1044
NUT, Adjusting Screw.....	59 01-10-20-80.....	1	G124829
BOLT, To Case.....	59 01-10-20-80.....	1	G179841
WASHER (Lock), To Case.....	59 01-10-20-80.....	1	G120382

16.070 SERVO, Transmission Rear

BODY.....	59 01-10-20-80.....	1	315 1013
LEVER.....	59 01-10-20-80.....	1	315 1017
SHAFT, Lever.....	59 01-10-20-80.....	1	315 3855
PISTON.....	59 01: 59 10-20-80 (Note 16.070-1).....	1	315 1019
	59 10-20-80 (Note 16.070-2).....	1	315 8717
SPRING, Accumulator.....	59 01: 59 10-20-80 (Note 16.070-1).....	1	315 1023
	59 01-10 (Note 16.070-1).....	1	315 2528
Piston.....	59 20-80 (Note 16.070-1).....	1	315 1021
	59 10-20-80 (Note 16.070-2).....	1	315 8718

NOTE 16.070-1: Used with Two Piece Piston.

NOTE 16.070-2: Used with One Piece Piston.

AUTOMATIC TRANSMISSION

RETAINER, Accumulator Spring.....	59 01-10-20-80 (Note 16.070-1).....	1	315 1022
Piston Spring.....	59 01-10-20-80.....	1	315 1020
ROLLER, Bearing.....	59 01-10-20-80.....	29	315 1026
RING, Retainer Snap.....	59 01-10-20-80 (Note 16.070-1).....	1	315 1024
Internal Snap.....	59 01-10-20-80.....	1	315 1025
Oil Seal.....	59 01-10-20-80.....	1	315 1015
PIN, Lever.....	59 01-10-20-80.....	1	315 1018
SCREW, Adjusting.....	59 01-10-20-80.....	1	315 0853
Servo To Case.....	59 01-10-20-80.....	1	315 1028
BOLT, Servo To Case.....	59 01-10-20-80.....	1	315 1029
NUT, Adjusting Screw.....	59 01-10-20-80.....	1	315 0852
WASHER, Bearing Retaining.....	59 01-10-20-80.....	2	315 1027
Servo To Case Screw.....	59 01-10-20-80.....	2	G103322

16.080 PUMP, Transmission Front Oil

PUMP.....	59 01-10-20-80.....	1	315 5692
GASKET.....	59 01-10-20-80.....	1	315 1009
BOLT, Cover To Pump.....	59 01-10-20-80.....	4	G179826
SEAL, Oil.....	59 01-10-20-80.....	1	315 1007

16.085 GOVERNOR, Transmission

GOVERNOR.....	59 01-10-80.....	1	315 3614
	59 20.....	1	315 3477
RING, Snap.....	59 01-10-20-80.....	1	315 0979
BALL, (1/4").....	59 01-10-20-80.....	1	G147485

16.090 BRAKE, Transmission Parking

LEVER, Torsion.....	59 01.....	1	315 1162
	59 10-20-80.....	1	315 4119
Toggle.....	59 01-10-20-80.....	1	315 1175
Lift.....	59 01-10-20-80.....	1	315 1165
LINK, Toggle Lever.....	59 01-10-20-80.....	1	315 1176
PAWL.....	59 01-10-20-80.....	1	315 1171
SPRING, Toggle Lever.....	59 01-10-20-80.....	1	315 1166
Release.....	59 01-10-20-80.....	1	315 1174
RETAINER, Release Spring.....	59 01-10-20-80.....	1	315 1173
Toggle Link Spring (1/4").....	59 01-10-20-80.....	1	315 1170
Pin.....	59 01-10-20-80.....	1	315 1182
Spring (5/16").....	59 01.....	1	315 1181
PIN, Torsion Lever.....	59 01.....	1	315 0855
Anchor Dowel.....	59 01-10-20-80.....	1	315 1172
Toggle.....	59 01-10-20-80.....	1	315 1179
(With Ball End).....	59 01-10-20-80.....	1	315 1177
Link.....	59 01-10-20-80.....	1	315 1178
ROD, Linkage.....	59 01.....	1	315 1167
CLIP, Linkage Rod.....	59 01.....	2	315 1169
WASHER, Toggle Lever (21/64" I.D.).....	59 01-10-20-80.....	1	315 1168
Pin (25/64" I.D.).....	59 01.....	1	315 1180

16.100 PUMP, Transmission Rear Oil

PUMP.....	59 01-10-20-80.....	1	315 4214
GASKET.....	59 01-10-20-80.....	1	315 0968
KEY.....	59 01-10-20-80.....	1	G103905

AUTOMATIC TRANSMISSION

16.105 SHAFT, Transmission Input

SHAFT.....	59 01-10-20-80.....	1	315 0907
WASHER, Thrust.....	59 01-10-20-80.....	1	315 0917

16.115 CYLINDER, Transmission Front Clutch

CYLINDER.....	59 01-10-20-80.....	1	315 6559
PISTON.....	59 01-10-20-80.....	1	315 0902
HUB.....	59 01-10-20-80.....	1	315 0909
SPRING.....	59 01-10-20-80.....	1	315 0899
PLATE, Pressure.....	59 01-10.....	1	315 6561
	59 20-80.....	1	314 9977
Driven (External Teeth).....	59 01-10-20-80.....	AR	315 0912
Drive (Internal Teeth).....	59 01-10-20-80.....	AR	315 0913
WASHER, Thrust.....	59 01-10-20-80.....	1	315 0916
(With Oil Grooves).....	59 01-10-20-80.....	1	315 0915
Hub.....	59 01-10-20-80.....	1	315 0910
RING, Spring Bearing.....	59 01-10-20-80.....	1	315 0901
(Square Section)(4-1/32" I.D.).....	59 01-10-20-80.....	1	315 0898
Snap.....	59 01-10-20-80.....	1	315 0897
Plate Retaining Snap.....	59 01-10-20-80.....	1	315 0895
Oil Seal "O".....	59 01-10-20-80.....	1	315 0900

16.125 DRUM, Transmission Rear Clutch (Ref. Note 16.125-1)

DRUM (Incl. Bearing).....	59 01: 59 10 (Notes 16.001-1 And 16.001-2)...	1	315 0885
	59 10 (Note 16.001-3).....	1	315 8784
	59 20-80.....	1	315 3610
BEARING.....	59 01-10-20-80.....	1	315 0882
PISTON.....	59 01-10-20-80.....	1	315 3644
PLATE, Driven (External Teeth).....	59 01-10-20-80.....	AR	315 0892
Drive (Internal Teeth).....	59 01-10.....	AR	315 2739
	59 20-80.....	4	315 0893
Pressure.....	59 01-10-20-80.....	1	315 0894
SPRING.....	59 01-10-20-80.....	1	315 0890
RETAINER, Spring.....	59 01-10-20-80.....	1	315 0891
RING, Square Section (4-3/4" I.D.).....	59 01-10-20-80.....	1	315 0889
Oil Seal "O".....	59 01-10-20-80.....	1	315 0887
Rear Spring Snap.....	59 01-10-20-80.....	1	315 0896
Plate Retaining Snap.....	59 01-10-20-80.....	1	315 0895

16.130 BAND, Transmission Front Brake

BAND.....	59 01-10.....	1	315 1063
	59 20-80.....	1	315 3489
STRUT.....	59 01-10-20-80.....	1	315 1053

16.135 SUPPORT, Transmission Center

SUPPORT.....	59 01: 59 10 (Note 16.001-1).....	1	315 0923
	59 10 (Notes 16.001-2 And 16.001-3): 59 20-80	1	315 3462
SCREW, To Case.....	59 01-10-20-80.....	2	315 0920
WASHER (Lock), To Case Screw.....	59 01-10-20-80.....	2	315 0919

NOTE 16.125-1: Front Band applies on Rear Clutch Drum.

AUTOMATIC TRANSMISSION

16.140 GEAR, Transmission Sun

GEAR.....	59 01-10-20-80.....	1	315 3645
RING, Oil Seal (Middle Of Sun Gear Shaft).....	59 01-10-20-80.....	2	315 0875
(Rear Of Sun Gear Shaft).....	59 01-10-20-80.....	2	315 0877
(Front Of Sun Gear Shaft).....	59 01-10-20-80.....	2	315 0878
WASHER, Reverse Sun Gear Thrust (Rear).....	59 01-10-20-80.....	1	315 0876

16.150 CARRIER, Transmission Planetary

CARRIER.....	59 01: 59 10 (Note 16.001-1).....	1	315 0937
	59 10 (Notes 16.001-2 And 16.001-3): 59 20-80	1	315 3465
CLUTCH, One Way (Sprag).....	59 10 (Note 16.001-2): 59 20-80.....	1	315 3472
	59 10 (Note 16.001-3).....	1	315 8721
RACE, One Way Clutch.....	59 10 (Notes 16.001-2 And 16.001-3): 59 20-80	1	315 3470
RING, One Way Clutch Snap.....	59 10 (Notes 16.001-2 And 16.001-3): 59 20-80	1	315 3471
WASHER, Thrust (Front).....	59 01: 59 10 (Note 16.001-1).....	1	315 5920
	59 10 (Notes 16.001-2 And 16.001-3): 59 20-80	1	315 3457
(Rear)(.061-.063).....	59 01-10-20-80.....	AR	315 0925
(.067-.069).....	59 01-10-20-80.....	AR	315 0926
(.074-.076).....	59 01-10-20-80.....	AR	315 0927
(.081-.083).....	59 01-10-20-80.....	AR	315 0928
(.092-.094).....	59 01-10-20-80.....	AR	315 0929
(.105-.107).....	59 01-10-20-80.....	AR	315 0930

16.155 BAND, Transmission Rear Brake

BAND.....	59 01-10-20-80.....	1	315 1036
STRUT, Apply.....	59 01-10-20-80.....	1	315 1037
Anchor.....	59 01-10-20-80.....	1	315 1038

16.160 SHAFT, Transmission Output

SHAFT.....	59 01.....	1	315 5175
	59 10 (Note 16.001-1).....	1	315 3554
	59 10 (Notes 16.001-2 And 16.001-3).....	1	315 8268
	59 20-80.....	1	315 3474
GEAR, Ring.....	59 01-10-20-80.....	1	315 0950
RING, Ring Gear Snap (.055).....	59 01-10-20-80.....	AR	315 0951
(.057).....	59 01-10-20-80.....	AR	315 0952
(.059).....	59 01-10-20-80.....	AR	315 0953
WASHER, Thrust.....	59 01-10-20-80.....	1	315 3476

16.170 SLEEVE, Transmission Oil Collector

SLEEVE.....	59 01-10-20-80.....	1	315 4123
TUBE (Front).....	59 01-10-20-80.....	1	315 4128
(Intermediate).....	59 01-10-20-80.....	1	315 4122
(Rear).....	59 01-10-20-80.....	1	315 4127
RING, Oil Seal.....	59 01-10-20-80.....	4	315 0986
BALL (1/4").....	59 01-10-20-80.....	1	G147485

16.175 RETAINER, Transmission Rear Bearing

RETAINER.....	59 01.....	1	315 5165
	59 10-20-80.....	1	315 3480

AUTOMATIC TRANSMISSION

Oil (Slinger).....	59 10-20-80.....	1 315 3524
COVER, Inspection.....	59 01-10-20-80.....	1 315 0989
GASKET.....	59 01-10-20-80.....	1 315 0992
Inspection Cover.....	59 01-10-20-80.....	1 315 0988
SEAL, Oil.....	59 01.....	1 315 5168
	59 10-20-80.....	1 315 3482
BUSHING.....	59 10-20-80.....	1 320 2124
SCREW, Inspection Cover.....	59 01-10-20-80.....	2 G114353
BOLT, Retainer To Case (4-3/16" Long).....	59 01.....	1 315 5169
(1-1/4" Long).....	59 01-10-20-80.....	4 G179841
(3-5/8" Long).....	59 10-20-80.....	1 G446641
WASHER (Plain), Inspection Cover Screw.....	59 01-10-20-80.....	2 315 0987
Retainer To Case Bolt.....	59 01-10-20-80.....	5 315 0919

16.195 VALVE ASSEMBLY, Transmission Control

VALVE ASSEMBLY.....	59 01.....	1 315 6615
	59 10 (Note 16.001-1).....	1 315 6616
	59 10 (Note 16.001-2 And 16.001-3).....	1 315 8260
	59 20.....	1 315 6617
	59 80.....	1 315 6618
BOLT, Body To Case (1/4-20 x 1-5/8).....	59 01-10-20-80.....	3 G179802
WASHER (Lock), Body To Case Bolt.....	59 01-10-20-80.....	3 G103319

16.205 VALVE, Transmission Upper Control

PLATE.....	59 01.....	1 315 1082
	59 10-20.....	1 315 4357
	59 80.....	1 315 4145
(Front).....	59 01-10-20-80.....	1 315 1083
(Rear).....	59 01-10-20-80.....	1 315 1084
LEVER, Vacuum Control.....	59 01-10-20-80.....	1 315 1102
BUSHING, Vacuum Control Lever Pivot.....	59 01-10-20-80.....	1 315 1103
PIN, Vacuum Control Lever.....	59 01-10-20-80.....	1 315 1104
HOOK, Vacuum Control.....	59 01-10-20-80.....	1 315 1105
NUT, Lock.....	59 01.....	1 315 1150
	59 10-20-80.....	1 315 4107
SCREW, Plate To Body (Flat Head #10).....	59 01-10-20-80.....	1 315 0969
SPRING, Throttle Valve.....	59 01-10-20-80.....	1 315 1124
Return.....	59 01-10-20-80.....	2 315 1117
Modulator Valve (Inner).....	59 01-10-20-80.....	1 315 1113
(Outer).....	59 01-80: 59 10 (Note 16.001-1).....	1 315 3617
Compensator Valve.....	59 01-20: 59 10 (Notes 16.001-2 And 16.001-3)	1 315 1114
(Inner).....	59 20-80.....	1 315 3509
(Outer).....	59 01: 59 10 (Note 16.001-1).....	1 315 1121
	59 10 (Notes 16.001-2 And 16.001-3).....	1 315 8266
	59 01: 59 10 (Note 16.001-1).....	1 315 2527
	59 10 (Notes 16.001-2 And 16.001-3).....	1 315 8265

16.215 VALVE, Transmission Lower Control

PLATE END.....	59 01-10-20-80.....	1 315 1080
Separating.....	59 01: 59 10 (Note 16.001-1).....	1 315 1081
Side.....	59 10 (Notes 16.001-2 And 16.001-3): 59 20-80	1 315 3506
	59 01-10-20-80.....	1 315 1085

AUTOMATIC TRANSMISSION

VALVE, Transition.....	59 01: 59 10 (Note 16.001-1).....	1	315 1127
	59 10 (Notes 16.001-2 And 16.001-3): 59 20-80	1	315 3507
PLUNGER, 2nd And 3rd Shift.....	59 01-10-20-80.....	1	315 1126
SPRING, Servo Check Valve.....	59 01-10-20-80.....	1	315 2526
Orifice Control Valve.....	59 01-10-20-80.....	1	315 1091
Inhibitor Valve.....	59 01-10-20-80.....	1	315 1099
Rear Pump Check Valve.....	59 01-10-20-80.....	1	315 1087
2nd And 3rd Shift Valve (Inner).....	59 01-10-20-80.....	1	315 1094
(Outer).....	59 01-10-20-80.....	1	315 1095
1st And 2nd Shift Valve.....	59 01-10-20-80.....	1	315 1100
Governor Valve.....	59 01-10-20-80.....	1	315 3066

16.225 LEVER, Transmission Manual Control

LEVER.....	59 01.....	1	315 1149
	59 10-20-80.....	1	315 4134
Manual Valve.....	59 01.....	1	315 1144
	59 10-20-80.....	1	315 4113
INSULATOR.....	59 01.....	1	315 1145
RING, "O".....	59 10-20-80.....	1	315 4109
SPRING, Manual Valve Detent.....	59 01.....	1	315 1151
	59 10-20-80.....	1	315 4110
BALL (3/8").....	59 01-10-20-80.....	1	G147500
NUT, Lock.....	59 01.....	1	315 1150
	59 10-20-80.....	1	315 4107
SLEEVE.....	59 10-20-80.....	1	315 4126

16.227 LEVER ASSEMBLY, Transmission Parking Lock

LEVER ASSEMBLY.....	59 10-20-80.....	1	315 4133
NUT, Lock.....	59 10-20-80.....	1	315 4107

16.230 TUBE, Transmission Oil Cooler

TUBE (Long).....	59 20.....	1	315 3933
	59 80.....	1	315 3828
(Short).....	59 20.....	1	315 3932
	59 80.....	1	315 3827
Cooler Discharge To Sump.....	59 20-80.....	1	315 3454
HOSE (Flex).....	59 20: 59 80 (Note 16.230-1).....	2	315 6471
	59 80 (Note 16.230-2).....	2	314 9113
ELBOW (In Cooler).....	59 20: 59 80 (Note 16.230-1).....	2	G137423
	59 80 (Note 16.230-2).....	2	315 3948
CONNECTION (In Transmission).....	59 20-80.....	2	315 3664
CLIP (On Oil Pan Stud).....	59 20-80.....	1	314 9613
Anti-Rattle.....	59 20-80.....	1	315 5174
NUT, Oil Pan Stud Clip.....	59 20-80.....	1	G120368
WASHER (Lock), Oil Pan Stud Clip.....	59 20-80.....	1	G120214

16.235 SOLENOID, Transmission

SOLENOID.....	59 01-10.....	1	315 6455
	59 20.....	1	315 6622
	59 80.....	1	315 6624
ROD, Push.....	59 01-10-20-80.....	1	315 1106

NOTE 16.230-1: On 59 80 (WAT) used on cars with Oil Cooler Hose having Swivel type fitting.

NOTE 16.230-2: On 59 80 (WAT) used on cars with Oil Cooler Hose having non-swivel type fitting.

AUTOMATIC TRANSMISSION

BOOT.....	59 01-10-20-80.....	1 315 1107
RING, Oil Seal "O".....	59 01-10-20-80.....	1 315 1108
NUT, Jam.....	59 01-10-20-80.....	1 315 1109

16.240 TUBE, Transmission Vacuum

TUBE.....	59 01.....	1 315 6041
	59 10.....	1 315 6154
	59 20-80.....	1 315 6120
BRACKET.....	59 10.....	1 315 0579
CLIP.....	59 01.....	1 313 0379
	59 10.....	1 15 898
	59 20-80.....	1 315 4027
CONNECTOR (At Transmission).....	59 01.....	1 G137405
	59 10-20-80.....	1 G137404
ELBOW.....	59 10.....	1 G137420
TEE, Manifold To Tube.....	59 20-80.....	1 315 6194
Cover To Tube.....	59 10.....	1 G9409939
SCREW.....	59 10.....	1 G180018
NUT.....	59 10.....	1 G120375
Speed.....	59 10.....	1 310 3117
WASHER (Lock).....	59 10.....	1 G120380

16.245 SWITCH, Transmission Solenoid Kickdown

SWITCH.....	59 01.....	1 315 4788
	59 10 (LHD): 59 20-80.....	1 315 5793
	59 10 (RHD).....	1 315 0575
BRACKET.....	59 01.....	1 313 6723
	59 10 (LHD-LDT).....	1 315 6274
	59 10 (LHD-WDT).....	1 315 4256
	59 20-80.....	1 315 4269
HARNESS, Wire.....	59 10 (LHD).....	1 315 6042
	59 10 (RHD).....	1 315 5059
WIRE, Switch To Solenoid.....	59 01.....	1 315 5031
	59 20-80.....	1 315 6042
To Junction Block.....	59 01.....	1 315 5032
	59 20-80.....	1 315 5789
CONNECTOR, Switch To Solenoid.....	59 01-10-20-80.....	1 312 7171
BUSHING.....	59 10 (LHD): 59 20-80.....	1 312 9158
SCREW, To Bracket.....	59 01.....	2 G445656
Terminal.....	59 10 (RHD).....	2 G447119
NUT, Bracket.....	59 10 (RHD).....	1 G272123
Speed.....	59 01.....	2 312 6533
WASHER (Plain), Bracket.....	59 10 (LHD): 59 20-80.....	1 314 2746
	59 10 (RHD).....	3 800 0179
(Lock), Bracket.....	59 10 (RHD).....	1 G115550
Terminal.....	59 10 (RHD).....	2 G131095

16.248 GEAR, Speedometer Drive

GEAR.....	59 01.....	1 315 5162
	59 10-20-80.....	1 315 0749
RING, Snap.....	59 01-10-20-80.....	1 310 4169
BALL, (1/4").....	59 01-10-20-80.....	1 G147485